



## Plockmatic SD-435 and SD-450 for Konica Minolta

## Plockmatic SD-435 and SD-450

**Compact booklet making** system, combines **robust** and **reliable** performance with a **new** range of **applications, including landscape format**



### Bookletmaking made easy

The SD-435/450 is a versatile booklet maker designed to work with low to mid volume digital production printers. It delivers booklets of exceptional quality and is able to feed the new long printed sheets to produce a variety of applications, including A4 landscape booklets, which is becoming an increasingly important expectation of the device.

The new system architecture enables customers to produce high quality booklets from A6 to A4 landscape, and has all the key processes needed to produce corner and edge staple, folding, spine forming, and full bleed trimming, all combined in one single, easy to use system. **This new bookletmaker offers the ability to produce the all new long sheets applications while maintaining the small and compact size of the system it replaces.**



# Plockmatic SD-435 and SD-450

Add our **signature square fold** finish to **A4 landscape format** documents

## Key Features

- Square folded booklets from A6 to A4 Landscape and beyond
- Corner stapled documents in portrait A4
- Edge stapled documents in portrait and landscape A4
- Up to 140 or 200-page booklet capacity
- Supports up to 660mm long sheets without RCT 3.0 or 620mm with RCT 3.0
- Average monthly volume of 20k booklet
- Max monthly volume of 40k booklets

## Deliver high quality applications

The base unit folds and staples booklets and corner or edge stapled sets up to 140 pages (35 sheets). The SD-435 uses the latest patented Plockmatic technologies to deliver top quality output in a wide range of print applications. The set positioning mechanism enables the operator to easily adjust the staple and fold position on the fly.

## User Interface

Simple to use 7" touchscreen graphical interface with easy job setup and adjustment of applications.





## Plockmatic SD-435 and SD-450

The **SD-435/450** is **compatible with** the following Konica Minolta **AccurioPress** print engines:

The SD-435/450 booklet maker is a powerful and versatile finishing solution for low-to-mid size centralized reprographic departments (CRD) and commercial print environments. For the first time in this segment a completely new architecture enables new powerful features, the SD-435/450 now brings heavy production-like features to the continuously growing low to mid-production segment.



C4080



C7100



C14000



# Plockmatic SD-435 and SD-450

**Finishin Module (optional) FM-400**  
The optional Face Trimmer module includes a new face trimmer and Square folding mechanism in one unit.

**SD-435/SD-450 Production Booklet Makers**  
The SD-450 can staple and fold up to 50 sheets of 80 gsm, which creates booklets of up to 200 pages. The SD-435 is capable of 35 sheets creating 140 page booklets.

**RCT Rotate Crease Trim module (optional)**  
The Plockmatic RCT Rotate Crease Trim module provides professional looking, full bleed trimmed and creased booklets. The 50 sheet version requires an FM-400 finishing module.



**Maintenance free staple heads**  
High-wearing parts are built into the easy to replace staple cartridge itself. You'll spend less time worrying about maintenance and more time making great looking booklets.

**Hand feed capability**  
This standard feature allows output produced on other printing systems to be turned into high quality booklets.

**Fold mechanism**  
The Patented fold mechanism gives a sharp fold for every application, resulting in professional looking documents every time.



# Plockmatic SD-435 and SD-450

**Compact booklet making** system, includes **corner** and **edge stapling** function as **standard**.

## Corner Stapling

Corner stapling is the fast and easy solution for producing meeting notes, reference documents and hard copies of PowerPoint presentations etc.

## About us

Plockmatic Group develops, manufactures and markets an extensive range of document finishing systems sold under the Plockmatic and Morgana brand names. These products work inline or offline together with the world's best digital printing systems.

We make booklets. We also mail, fold, crease, perforate and bind documents with extraordinary precision. Quite simply, we turn stacks of printed paper into the beautifully finished documents you use every day.

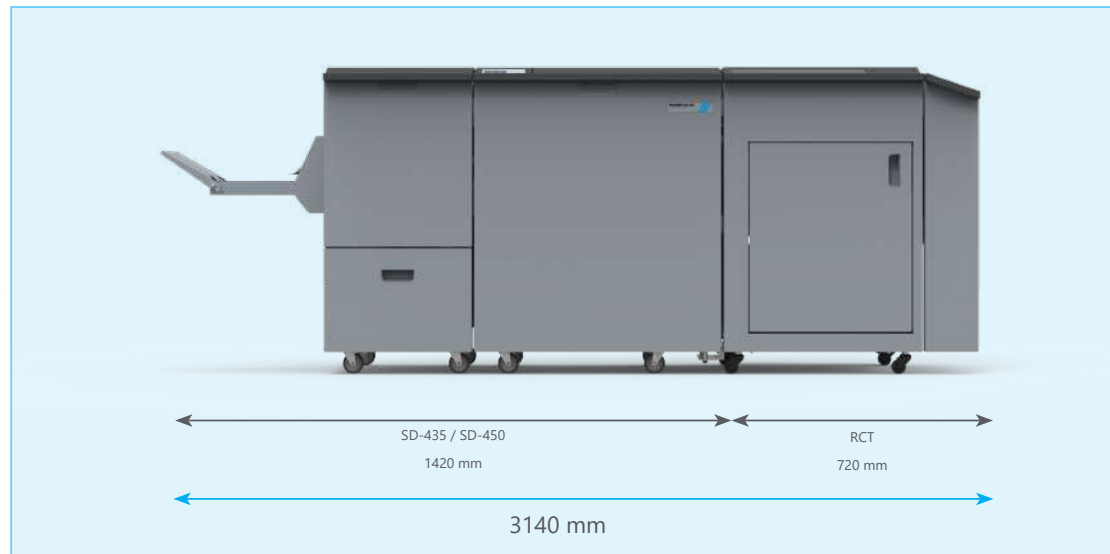
Plockmatic works closely with Konica Minolta and workflow partners to ensure the easiest possible integration of the booklet making system. With new simplified programming, this makes it easy to use and allows operators of different skill levels to produce a wide range of booklets efficiently.



# Technical Specifications

SD-435 / SD-450	
Paper sizes	From 145mm x 210mm to 320 x 660mm
Finished book sizes before trimming	From 145 x 99mm to 320 x 330 (320 x 310 with optional RCT)
Stock range	64gsm to 350gsm depending on media type
Book thickness (folded with staples)	SD-450: 2-50 sheets, SD-435: 2-35 sheets (80gsm)
Book thickness (folded without staples)	Up to 2 sheets
Face trimmer range	1 to 231mm
Bleed Trimmer	Integrated in optional RCT module, slitter type
Bleed trimmer range	5 to 30mm on each side
Creasing:	Two tools: fine and coarse creasing profiles
Rotation	Integrated in optional RCT module for smaller sheet sizes (A4 and SRA4)
Konica Minolta Compatibility	AccurioPress C14000/C12000 AccurioPress C7100 Series AccurioPress C4080/4070

## SD-435 / SD-450 - Machine dimensions



 Plockmatic Group

[www.konicaminolta.com.au](http://www.konicaminolta.com.au)